



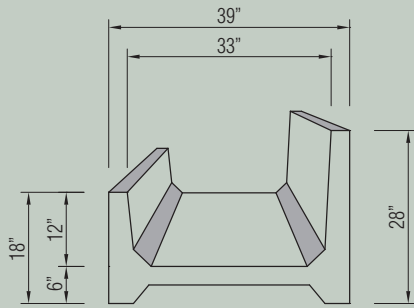
Feed Bunks

- Smooth surface. 6000 PSI H.S.F concrete
- Concrete resists acid in silage
- 1/2" holes are cast into fronts for fastening uprights for headrails
- Easy to move if needed
- 5 styles to choose from
- Plastic ends available
- Installation available
- CSA approved



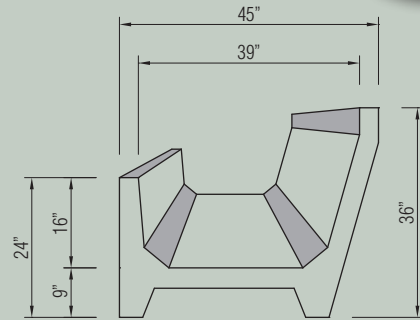


Feed Bunks



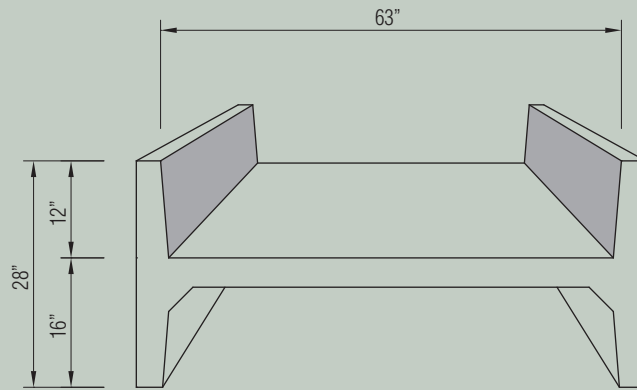
Holds a medium amount of feed
 Weight 2400 lbs Length 8 ft

"J" Bunk



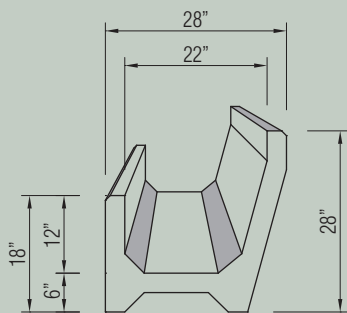
Sloped back to allow for extra feed
 Weight 2600 lbs Length 8 ft

Super Fence line Bunk



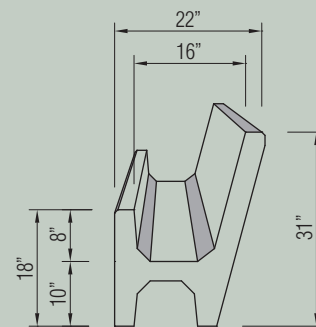
For double sided feeding
 Weight 3100 lbs Length 8 ft

"H" Bunk



For feeding calves
 Weight 1900 lbs Length 8 ft

Veal Bunk



For feeding sheep
 Weight 1900 lbs Length 8 ft

Sheep Bunk